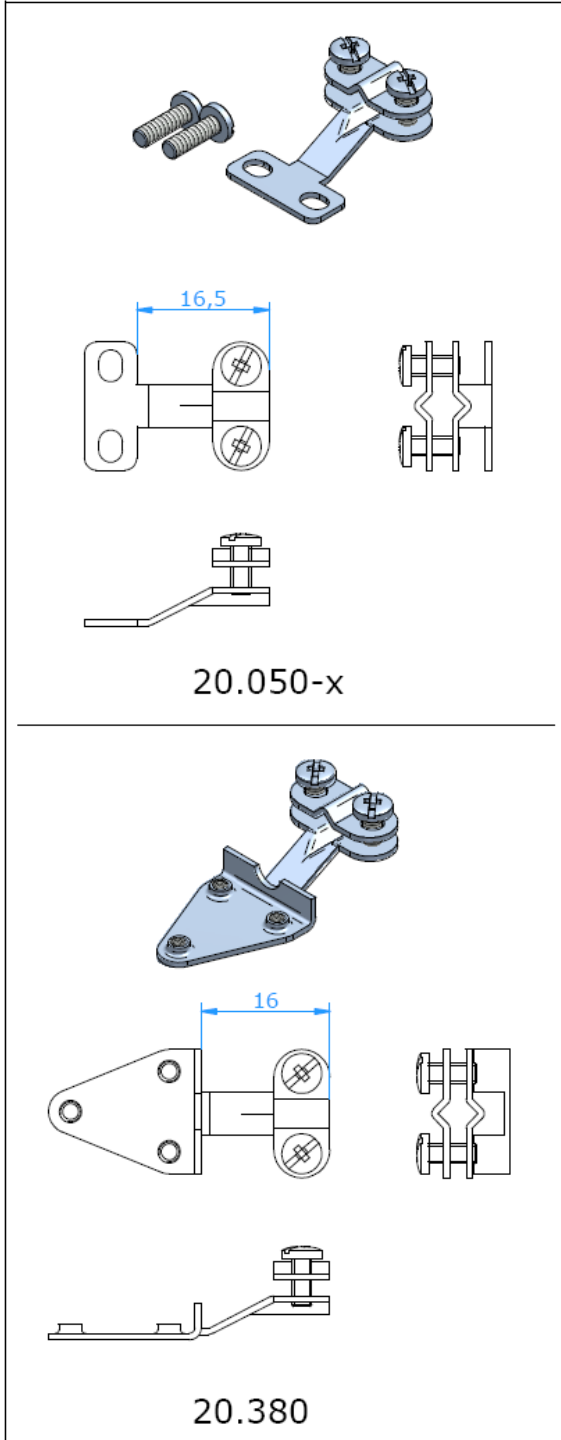


Accessories

Miniature Connector Wire Clamp Bracket



APPLICATION:

Wire clamp bracket will provide optimum strain relief.
Construction allows a large difference in maximum and minimum wire diameter.

CONSTRUCTION:

All stainless steel, incl stainless steel screws

PART NUMBER

20.050-1	miniature connector fits on all connector CMP, CMJ, CMPH, CMPT and CMJT
20.050-2	miniature connector ceramic fits on all connector CMPC and CMJC
20.050-3	miniature connector duplex fits on all connector CMPD and CMJD
20.380	miniature connector ultra high temperature fits on all connector CMPU and CMJU