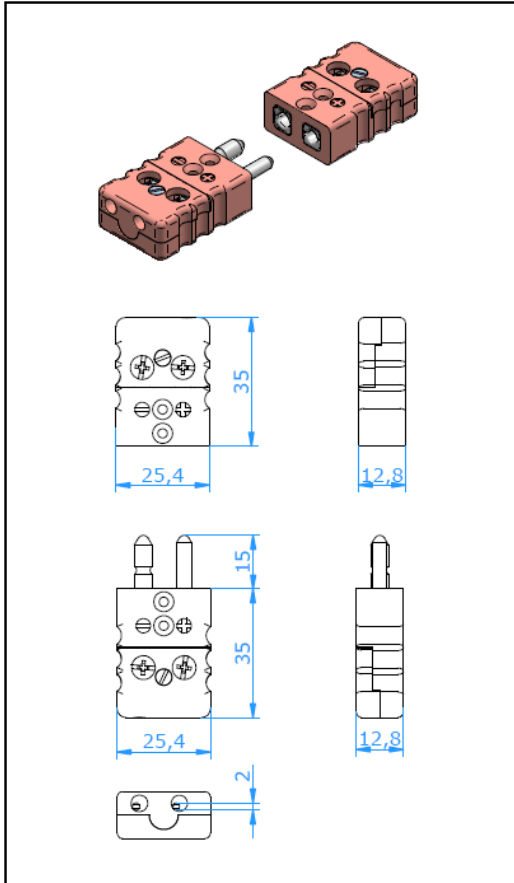


# Connectors

## Standard Connector Jab-in



### APPLICATION:

Connector for thermocouple and RTD circuits. Jab-in cover allow easy connection without need for cover removal. Solid pin design ensures good contact even in demanding applications. Hollow pin design offers a good quality product at competitive pricing for less frequently used connectors.

### CONSTRUCTION:

- Glass filled thermoplastic body with original thermocouple material pins.
- Polarized pins.
- Molded barriers prevent short circuit.
- Captive cover screw for easy assembly.

### WIRE SIZE:

- Accepts wires from 0,2 mm to 2,0 mm.

### TEMPERATURE RATING:

- 200 °C Max.

### COLOR CODE:

Available in all color code standards. Incl. NFE, BS, JIS, etc.

### ACCESSORIES:

Large variety of accessories for the standard connector are available. See separate specification sheets.

### ORDERING CODE

Plug Solid Pin :  
Plug Hollow Pin :  
Jack :

CSPQ-xx  
CSPQL-xx  
CSJQ-xx

For last two digits 'xx' see table below

| Calibration Code          | E      | J     | K      | N      | T     | U     | R/S          | C             | B                |
|---------------------------|--------|-------|--------|--------|-------|-------|--------------|---------------|------------------|
| Compensation material for |        |       |        |        |       |       | Pt13Rh<br>Pt | W5Re<br>W26Re | Pt6Rh/<br>Pt30Rh |
| Material Positive         | NiCr   | Fe    | NiCr   | NiCrSi | Cu    | Cu    | Cu           | CPX           | Cu               |
| Material Negative         | CuNi   | CuNi  | NiAl   | NiSi   | CuNi  | Cu    | Alloy 11     | CNX           | Cu               |
| <b>IEC Color Code</b>     |        |       |        |        |       |       |              |               |                  |
| Color Body                | Violet | Black | Green  | Pink   | Brown | White | Orange       | Red           | Grey             |
| Code                      | EI     | JI    | KI     | NI     | TI    | UI    | RI           | C             | BI               |
| <b>ANSI Color Code</b>    |        |       |        |        |       |       |              |               |                  |
| Color Body                | Violet | Black | Yellow | Orange | Blue  | White | Green        | Red           | Grey             |
| Code                      | EI     | JI    | KA     | NA     | TA    | UI    | RA           | C             | BI               |
| <b>DIN Color Code</b>     |        |       |        |        |       |       |              |               |                  |
| Color Body                |        | Blue  | Green  |        | Brown |       | White        |               | Grey             |
| Code                      |        | JD    | KI     |        | TI    |       | RD           |               | BI               |