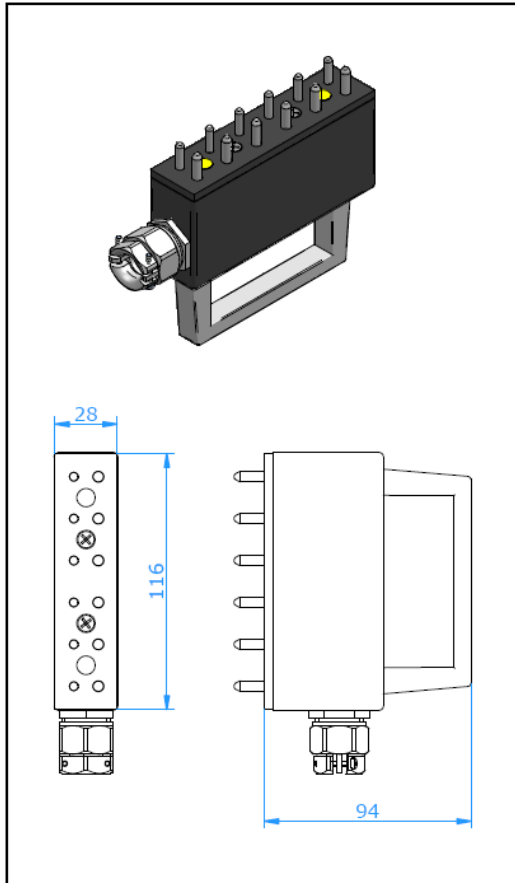


# Connectors

## Standard Multiple Plug



### APPLICATION:

Multiple plug for thermocouple and RTD circuits. Suitable for connecting up to 6 standard circuits simultaneously.

### CONSTRUCTION:

- Rugged steel epoxy painted housing.
- Anodized aluminium handle for easy grip.
- Available in 1 thru 6 circuits version.
- Corresponds with Hamitherm standard vertical panel PASV- and standard multiple jack MJS

### WIRE SIZE:

- Accepts wires from 0,2 mm to 1,5 mm.
- Entrance fitting PG 13 will allow cable diameters up to 15 mm.

### TEMPERATURE RATING:

- 200 °C Max.

### COLOR CODE:

- Calibration is indicated by color coded dot on front.
- Available in all color code standards.

### ORDERING CODE

**MPS-y-xx**

*y is number of circuits ( 1, 2, 3, 4, 5, or 6)  
For last two digits 'xx' see table below*

Calibration Code	E	J	K	N	T	U	R/S	C	B
Compensation material for							Pt13Rh Pt	W5Re W26Re	Pt6Rh/ Pt30Rh
Material Positive	NiCr	Fe	NiCr	NiCrSi	Cu	Cu	Cu	CPX	Cu
Material Negative	CuNi	CuNi	NiAl	NiSi	CuNi	Cu	Alloy 11	CNX	Cu
<b>IEC Color Code</b>									
Color Body	Violet	Black	Green	Pink	Brown	White	Orange	Red	Grey
Code	EI	JI	KI	NI	TI	UI	RI	C	BI
<b>ANSI Color Code</b>									
Color Body	Violet	Black	Yellow	Orange	Blue	White	Green	Red	Grey
Code	EI	JI	KA	NA	TA	UI	RA	C	BI
<b>DIN Color Code</b>									
Color Body		Blue	Green		Brown		White		Grey
Code		JD	KI		TI		RD		BI