

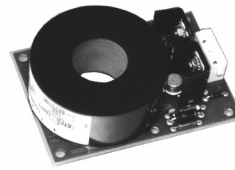
## DESCRIPTION

The CTF and CTFB current sensors are closed-loop, highly-precise electronic sensors designed for ac, dc, pulse and variable-frequency drives. The output is directly proportional to the input and the output waveform is identical to the "through-window" current.

### 0.1% Linearity

### 5 YEAR WARRANTY

Model CTFB



Model CTF



The CTF and CTFB provide 0.1% linearity. Rugged construction and reduced temperature sensitivity ensure reliable measurements over a wide range of temperatures.

Models are provided in enclosures or circuit board arrangement. Split-core units are available.

Use CTA800-\* for instrument power source and output signal conditioning.

MODEL NUMBER	INPUT CURRENT (AMPS)		TEMPERATURE			OUTPUT				ACCURACY F.S. @ 25°C	LINEARITY F.S.	SENSOR CASE SIZE
	AC	DC	RANGE	OFFSET OVER RANGE	TURNS RATIO	AC		DC				
						CAL	LOAD (Ω)	CAL	LOAD (Ω)			
CTFB-100TT	100	150	-25° to +70°C	+0.75mA	1000:1	100mA	0-50	150mA	0-50	±0.4%	±0.1%	1
CTFB-100T	100	150	-40° to +80°	+1.0mA	1000:1	100mA	0-50	150mA	0-50	±0.4%	±0.1%	1
*CTF-100TTSX5	70	100	-0° to +40°	+25mV			>2k	5V	>2k	±0.5%	±0.2%	3
CTFB-300TT	300	750	-25° to +70°	+0.6mA	2000:1	150mA	0-40	375mA	0-15	±0.4%	±0.1%	1
CTFB-300T	300	750	-40° to +80°	+0.75mA	2000:1	150mA	0-40	375mA	0-15	±0.4%	±0.1%	1
*CTF-300TTSX5	200	300	-0° to +40°	+25mV			>2k	5V	>2k	±0.5%	±0.2%	3
CTF-500TT	500	750	-0° to +70°	+0.25 mA	5000:1	100mA	0-50	150mA	0-15	±0.3%	±0.1%	2
CTF-500T	500	750	-40° to +80°	+0.5mA	5000:1	100mA	0-50	150mA	0-15	±0.3%	±0.1%	2
*CTF-500TTSX5	350	500	-0° to +40°	+25mV			>2k	5V	>2k	±0.5%	±0.2%	3

## SPECIFICATIONS

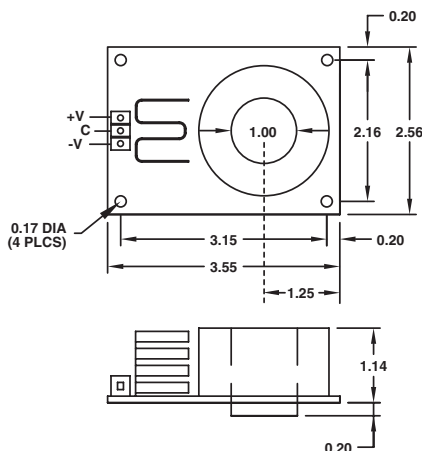
### CTF-\*\*\*TTS

Current ..... See Table  
 Response Time ..... (to 90%) ..... 10µs  
 di/dt ..... 50A/10µs  
 Bandwidth ..... dc to 1kHz  
 Instrument Power ..... ±15Vdc, ±10%, ±125mA  
 Dielectric Test ..... (input/output) ..... 1kV

### ALL OTHER MODELS

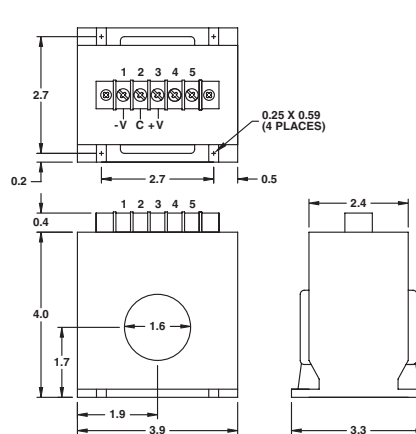
Current ..... See Table  
 Response Time ..... (to 90%) ..... 1µs  
 di/dt ..... 50A/1µs  
 Bandwidth ..... dc to 100kHz  
 Instrument Power ..... ±14Vdc to ±18Vdc  
 Dielectric Test ..... (input/output) ..... 3kV

### CASE 1



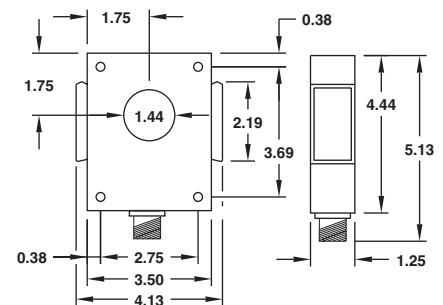
Case 1 Weight ..... 0.4 Lbs.

### CASE 2



Case 1 Weight ..... 2.2 Lbs.

### CASE 3



Red ..... +V Input  
 Black ..... -V Input  
 White ..... COM  
 Green ..... Output  
 Supplied with 8-foot cable.

Case 3 Weight ..... 2.0 Lbs.

All Dimensions in Inches