

# OSI WIDE-RANGE FREQUENCY TRANSDUCER MODEL DFTA-

## FEATURES

- Provides analog output which is proportional to the input frequency over wide ranges.
- Digital period measurement delivers accurate frequency measurement.

## APPLICATIONS

- For use on any application that requires measurement for generation or energy management.
- Applications that require compact DIN packaging or CE & CSA approvals.

INPUT FREQUENCY (Hz)	STANDARD OUTPUTS MODEL DFTA-				
	0 - 1mA <sub>dc</sub>	0 - 10V <sub>dc</sub>	0 - 5V <sub>dc</sub>	4 - 20mA <sub>dc</sub>	0 - 20mA <sub>dc</sub>
10 - 55	005B	005D	005X5	005E	005EA
10 - 65	004B	004D	004X5	004E	004EA
10 - 100	002B	002D	002X5	002E	002EA
10 - 425	006B	006D	006X5	006E	006EA
10 - 1000	003B	003D	003X5	003E	003EA



All standard models require 85-230Vac instrument power.

**ADDITIONAL FREQUENCY AND VOLTAGE RANGES AVAILABLE - CONSULT FACTORY**

**DIN-RAIL LENGTHS AVAILABLE - CONSULT FACTORY**

**Differential Frequency Transducers also Available - Consult Factory**



## ORDERING INFORMATION

Example: 10-100Hz, 10-100V Input, 0-5V<sub>dc</sub> Output Proportional to 10-100Hz.  
**DFTA-002X5**

## SPECIFICATIONS

### INPUT

Frequency Range ..... See Table  
 Voltage Range ..... 10-230V  
 AC Waveforms ..... Sine, square or triangle  
 Burden ..... <1.0VA  
 Overload ..... 120% F.S. Voltage

### OUTPUT

Loading  
 "B" models ..... (0-1mA<sub>dc</sub>) ..... 0-15kΩ  
 "D" & "X5" models .... (0-10V<sub>dc</sub>, 0-5V<sub>dc</sub>) ..... 2.5kΩ min.  
 "E" & "EA" models ... (4-20mA<sub>dc</sub>, 0-20mA<sub>dc</sub>) ..... 0-750Ω  
 Response Time ..... 4 Periods of Input Frequency

### INSTRUMENT POWER

Standard ..... 85-230V<sub>dc/ac</sub>, 40-400Hz, 3.0VA

### DIELECTRIC TEST

Input to Instrument Power/Output/Case ..... 3700V<sub>ac</sub>  
 Instrument Power to Output/Case ..... 3700V<sub>ac</sub>  
 Output to Case ..... 490V<sub>ac</sub>

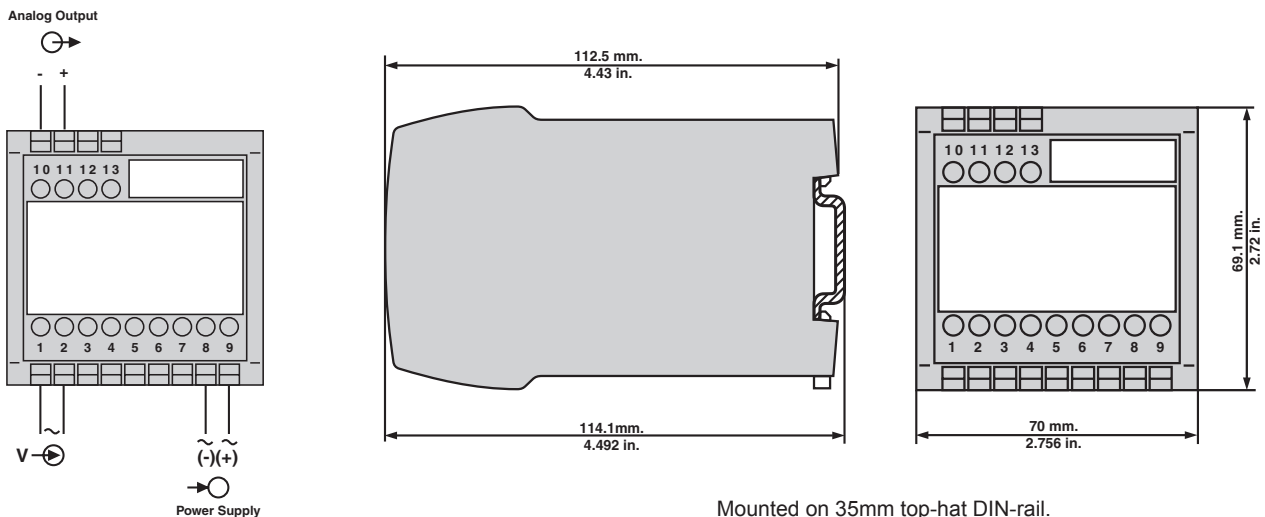
### ACCURACY

..... ±0.2% of Span  
 Output Ripple ..... <0.5% p.p.

### TEMPERATURE & PHYSICAL

Temperature Range ..... -10°C to 55°C  
 Termination ..... #10 AWG max.  
 Net Weight ..... 0.7 lbs

## CONNECTION DIAGRAM AND CASE DIMENSIONS



Mounted on 35mm top-hat DIN-rail.

**OHIO SEMITRONICS, INC.** 4242 REYNOLDS DRIVE \* HILLIARD, OHIO \* 43026-1264  
 PHONE: (614) 777-1005 \* FAX: (614) 777-4511  
 WWW.OHIOSEMITRONICS.COM \* 1-800-537-6732