

OSI SINGLE-PHASE AC VOLTAGE TRANSDUCER MODEL DVT-

DIN-RAIL-MOUNTED AC VOLTAGE TRANSDUCER

DESCRIPTION

The DVT model transducers provide an electrically-isolated output which is proportional to the applied voltage. Transducer output is derived from the arithmetic mean value of the input and calibrated as the RMS value of a sine wave input.

The transducer fulfills requirements and regulations regarding EMC and safety (IEC 1010) and was designed, manufactured and tested in accordance with ISO 9001.

FEATURES

- Voltage ranges up to 600V.
- Current and voltage outputs available.
- Compact DIN-rail packaging.



APPLICATIONS

- Where voltage measurements are required.
- Where CE or CSA approvals are required.
- SCADA, process control or OEM applications.

INPUT AC VOLTS	STANDARD OUTPUTS MODEL DVT-				
	0 - 1mA _{dc} *	4 - 20mA	4 - 20mA**	0 - 10V _{dc}	0 - 5V _{dc}
0 - 90	090A	090E	090E2	090C	090CX5
0 - 150	120A	120E	120E2	120C	120CX5
0 - 300	240A	240E	240E2	240C	240CX5
0 - 600	600A	600E	600E2	600C	600CX5



*"A" models are self-powered from measured voltage line.
 **"E2" loop-powered models require 12-32V_{dc} instrument power.
 "E", "C" & "CX5" models require instrument power.
 Optional 230Vac instrument power - add suffix "-22"
 Din-rail lengths available: Consult Factory

ORDERING INFORMATION

Example: 120Vac Input
with 4-20mA Output.
DVT-120E

SPECIFICATIONS

INPUT

Voltage See Table
 Frequency Range 50/60Hz
 Burden <2VA
 Overload 120% of F.S.

DIELECTRIC TEST

Input to Instrument Power/Output/Case 3700Vac
 Instrument Power to Output/Case 3700Vac
 Output to Case 490Vac

INSTRUMENT POWER

"A" models Self-powered
 "E", "C" & "CX5" models 100-135Vac, 50/60Hz, 3VA
 "E2" loop-powered models 12-32V_{dc}
 "-22" Option 230Vac, 50/60Hz, ±15%

OUTPUT

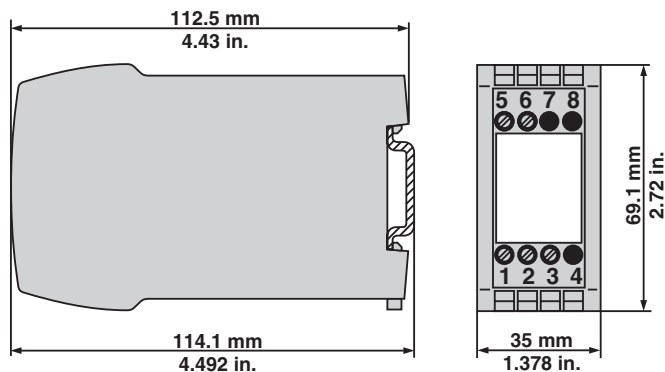
Response Time (to 90% F.S.) 300ms
 Loading
 "A" models 0-15kΩ
 "C" & "CX5" models 2.5kΩ minimum
 "E" models 0-750Ω
 "E2" models 0-600Ω @ 24V

ACCURACY ±0.5% F.S. @ 60Hz
 Includes effects of linearity (20%-100%) and setpoint.
 Output Ripple <1.0% p.p.

TEMPERATURE & PHYSICAL

Temperature Range -10°C to +55°C
 Termination #10 AWG max.
 Net Weight 0.6 lb

CASE DIMENSIONS



Mounted on 35mm top-hat DIN-rail.

CONNECTION DIAGRAMS

