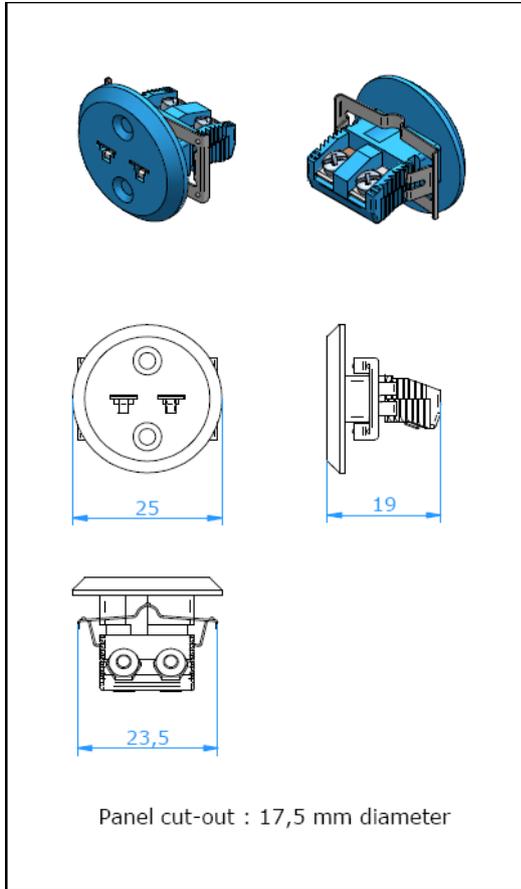


Miniature Panel Insert Round Clipspring Mounting



APPLICATION:

Panel insert for thermocouple and RTD circuits. Suited for small wires. Mounting by means of easy to use self gripping clip*. Ideal panelinsert for instrument cases.

CONSTRUCTION:

- Glass filled thermoplastic body with original thermocouple material pins and springloaded inserts.
- Polarized pins ensure proper connection.
- Easy wire connection through sandwich construction.
- Molded barriers prevent short circuit.
- Rugged one body design.
- Polarity indication on body
- Stainless steel clipspring for rear mounting

WIRE SIZE:

- Accepts wires from 0,002 mm to 0,6 mm.

TEMPERATURE RATING:

- 200 °C Max.

COLOR CODE:

- Available in all color code standards incl. NFE, BS, JIS, etc.

ACCESSORIES:

- Panel Punch for 11/16" – 17,5 mm, partnr. 20.366

NOTE:

* For other mounting options please see separate specification sheet for PMIR-xx and PMIRB-xx.

ORDERING CODE

PMIRC-xx

For last two digits 'xx' see table below

Calibration Code	E	J	K	N	T	U	R/S	C	B
Compensation material for							Pt13Rh Pt	W5Re W26Re	Pt6Rh/ Pt30Rh
Material Positive	NiCr	Fe	NiCr	NiCrSi	Cu	Cu	Cu	CPX	Cu
Material Negative	CuNi	CuNi	NiAl	NiSi	CuNi	Cu	Alloy 11	CNX	Cu
IEC Color Code									
Color Body	Violet	Black	Green	Pink	Brown	White	Orange	Red	Grey
Code	EI	JO	KI	NI	TI	UI	RI	C	BI
ANSI Color Code									
Color Body	Violet	Black	Yellow	Orange	Blue	White	Green	Red	Grey
Code	EI	JI	KA	NA	TA	UI	RA	C	BI
DIN Color Code									
Color Body		Blue	Green		Brown		White		Grey
Code		JD	KI		TI		RD		BI