

### PRINTED CIRCUIT MOUNT

#### FEATURES

- High Sensitivity
- Small Size
- Input/Output Isolation
- Low Power Requirements
- Bi-Directional
- Circuit Board Mountable
- Potted
- Flame Retardant UL94V-0



CTU-025R



CTU-050R



CTU-100R

### SPECIFICATIONS

#### INPUT

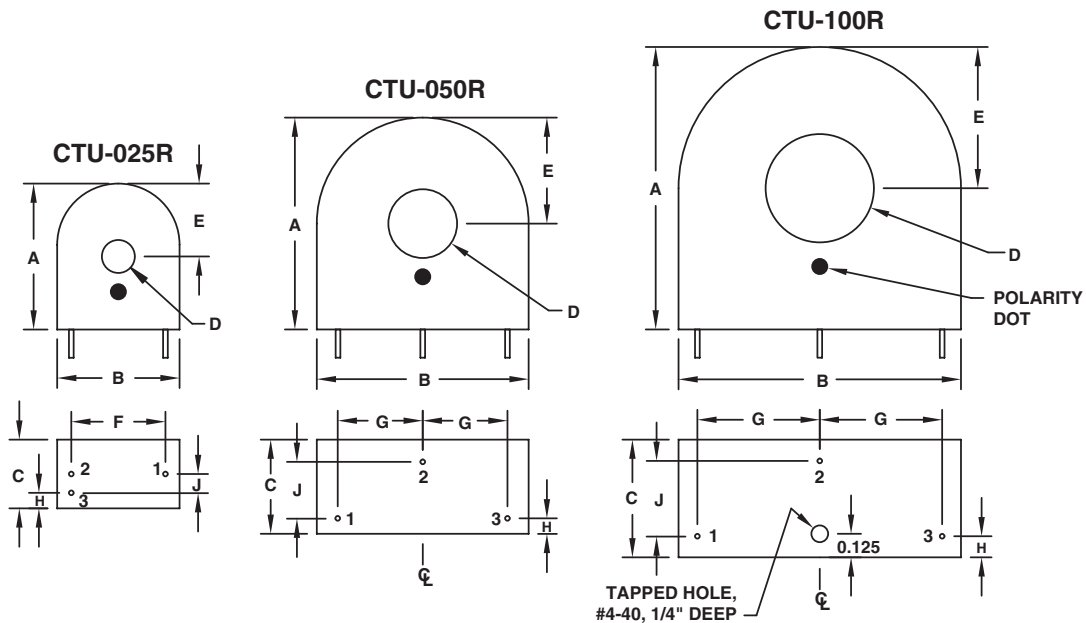
CURRENT	CTU-025R	CTU-050R	CTU-100R
Rated DC/PK AC .....	25A .....	50A .....	100A .....
Linear Range F.S. ....	0 - ±35A .....	0 - ±60A .....	0 - ±120A .....
Over Current.....(without damage) .....	20 X Rating .....	20 X Rating .....	20 X Rating .....
Instrument Power "Vcc" .....	4.5 Vdc-5.5 Vdc .....	4.5 Vdc-5.5 Vdc .....	4.5 Vdc-5.5Vdc .....
Max Voltage .....	8 Vdc .....	8 Vdc .....	8 Vdc .....
Max Current .....	10mAdc .....	10mAdc .....	10mAdc .....
Dielectric Test (Conductor through window/output) .....	600 Vac .....	1000 Vac .....	1000 Vac .....
Frequency (-1.3db) .....	dc - 10KHz .....	dc-10KHz .....	dc-10KHz .....

#### \*OUTPUT

Sensitivity @ 5 V "Vcc" .....	typ. 35mV/A,±15% .....	typ. 35mV/A,±15% .....	typ. 15mV/A,±15% .....
Quiescent Voltage (Vcc/2) .....	2.5Vdc ±.2Vdc .....	2.5Vdc ±.2Vdc .....	2.5Vdc ±.2Vdc .....
Linearity .....	±0.5% F.S. ....	±0.5% F.S. ....	±0.5% F.S. ....
Source Current "Max" .....	1mA .....	1mA .....	1mA .....
Temperature Range .....	-20°C to +65°C .....	-20°C to +65°C .....	-20°C to +65°C .....
Temperature Effects			
Offset Voltage .....	typ. ±0.2mV/°C .....	typ. ±0.2mV/°C .....	typ. ±0.2mV/°C .....
Sensitivity .....	typ. ±0.3mV/°C .....	typ. ±0.3mV/°C .....	typ. ±0.3mV/°C .....
Weight .....	0.02 Lbs. ....	0.04 Lbs. ....	0.08 Lbs. ....

\* The CTU series have ratiometric outputs, which means the output voltage is proportional to the input current magnitude and power supply voltage relative to the midpoint of the power supply voltage.

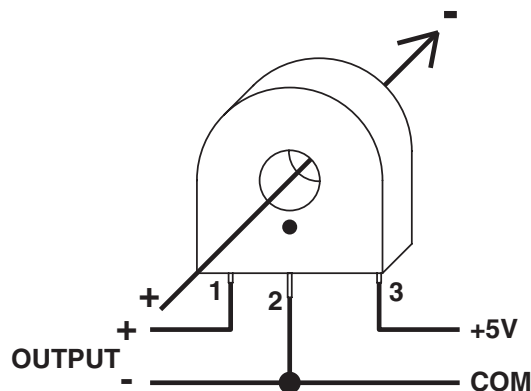
**DIMENSIONS**



MODEL	A	B	C	D	E	F	G	H	J	PINS Diameter X Length
CTU-025R	0.775	0.650	0.365	0.175	0.387	0.500	NA	0.082	0.100	.0312 X .187
CTU-050R	1.125	1.125	0.500	0.365	0.563	NA	0.450	0.100	0.300	.040 X .156
CTU-100R	1.500	1.500	0.625	0.575	0.750	NA	0.650	0.112	0.400	.040 X .156

All Dimensions in Inches

**CONNECTIONS**



**PIN 1 OUTPUT**  
**PIN 2 COMMON TO BOTH**  
**PIN 3 +5V INSTRUMENT POWER**