

FEATURES

- Provides analog output which is proportional to the frequency of the input source.

APPLICATIONS

- For use on any application that requires indication of or recording of instantaneous frequency.

INPUT FREQUENCY (Hz)	STANDARD OUTPUTS MODEL FT-				
	0 - 1mA _{dc}	0 - 10V _{dc}	0 - 5V _{dc}	4 - 20mA _{dc}	0 - 20mA _{dc}
45 - 55	050B	050D	050X5	050E	050EA
55 - 65	060B	060D	060X5	060E	060EA
375 - 425	400B	400D	400X5	400E	400EA



All models are self-powered from measured line.
Optional 230Vac Input - Add suffix "-22"

5 YEAR WARRANTY

ORDERING INFORMATION

Example: 55-65Hz Input with 0-5V_{dc} Output.
FT-060X5

SPECIFICATIONS

INPUT

Frequency Range See Table
Voltage Range Standard 95-135Vac
 "-22" Option 190-270Vac
Overload Standard 150Vac
 "-22" Option 300Vac
Burden 4.0VA

OUTPUT

Loading
"B" models (0-1mA_{dc}) 0-10kΩ
"D", "X5" models (0-10, 0-5V_{dc}) 2kΩ min.
"E", "EA" models (4-20, 0-20mA_{dc}) 0-500Ω
Response Time 400ms

INSTRUMENT POWER

Standard Self-powered

DIELECTRIC TEST

Input/Output/Case 1500Vac

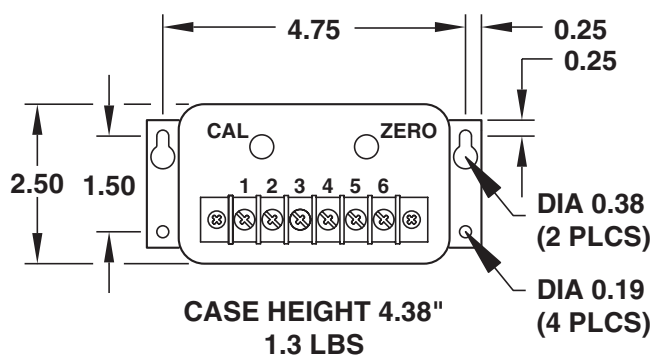
ACCURACY

50Hz, 60Hz Models ±0.05Hz
400Hz Model ±0.2Hz
Output Ripple ±1.0% F.S.

TEMPERATURE

Operating Range -20°C to 60°C
Temperature Effect ±0.005%/°C

CASE DIMENSIONS AND CONNECTION DIAGRAM



All dimensions in inches

