

OSI UNIDIRECTIONAL DC VOLTAGE ISOLATOR MODEL VTU-

LOW COST

FEATURES

- Output is electrically isolated from the input and is directly proportional to the input.
- Unidirectional signals only.
- Provides 1500V dielectric protection.

APPLICATIONS

- Monitoring of substation or electric circuit performance.
- Isolation and amplification of shunt output.
- Electric generator or solar field monitoring.

INPUT DC VOLTS	STANDARD OUTPUTS MODEL VTU-		
	0-1mA	4-20mA	0-5V
0 - 0.05	015B	015E	015X5
0 - 0.10	016B	016E	016X5
0 - 10	001B	001E	001X5
0 - 25	002B	002E	002X5
0 - 50	003B	003E	003X5
0 - 100	004B	004E	004X5
0 - 150	005B	005E	005X5
0 - 250	006B	006E	006X5
0 - 300	007B	007E	007X5
0 - 400	008B	008E	008X5
0 - 500	009B	009E	009X5
0 - 600	010B	010E	010X5
0 - 700	011B	011E	011X5
0 - 800	012B	012E	012X5
0 - 900	013B	013E	013X5
0 - 1000	014B	014E	014X5

Highlighted models are supplied with an external divider module.
50mV and 100mV models can be used for shunt isolation.



5 YEAR WARRANTY

ORDERING INFORMATION

Example: 150Vdc Input with a 4-20mA Output.
VTU-005E

SPECIFICATIONS

INPUT

Voltage See Tables
 Frequency Range dc to 1000Hz.
 Burden
 0.05 & 0.1mV Input models >500Ω
 All other models >100kΩ
 Overload
 0.05-600V 2 X F.S. or 850Vdc max.
 700-1000V (w/external divider box) 1500Vdc max.

DIELECTRIC TEST(direct input/output/case)..... 1500Vdc

INSTRUMENT POWER

Standard 115Vac ±15%, 50/60Hz, 4VA
 “-22” option 230Vac ±15%, 50/60Hz, 4VA

OUTPUT

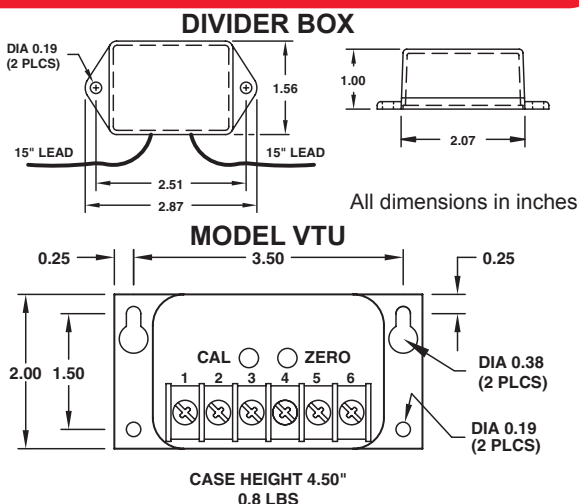
Response Time(to 90%) 500μs
 Loading
 “B” models(0-1mA output) 0-5kΩ
 “X5” models(0-5Vdc output) 2kΩ min.
 “E” models(4-20mA output) 0-300Ω
 Field Adjustable Cal. ±10%

ACCURACY ±0.25% Rdg., ±0.1% F.S. @dc
 includes effects of linearity and repeatability

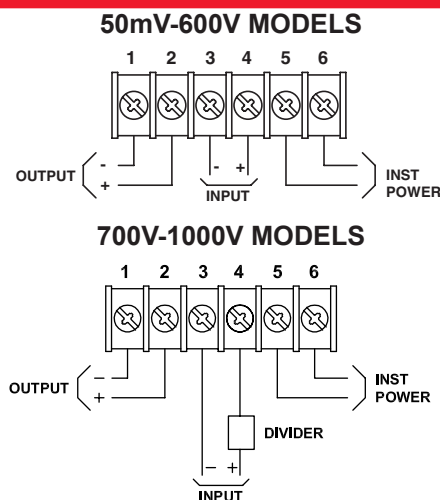
TEMPERATURE

Effect(-5°C to +40°C) ±1.0% Rdg., ±0.1% F.S.

CASE DIMENSIONS



CONNECTION DIAGRAM



OHIO SEMITRONICS, INC.

4242 REYNOLDS DRIVE * HILLIARD, OHIO * 43026-1264
 PHONE: (614) 777-1005 * FAX: (614) 777-4511
 WWW.OHIOSEMITRONICS.COM * 1-800-537-6732