

WATT/VAR TRANSDUCER

PRECISION WATT/VAR TRANSDUCER

MODEL GWV5

ACCURATE TO 0.2% OF READING

FEATURES

- Available in 1, 2, or 3 element configurations. Some models provide bi-directional operation.
- Accuracy maintained over wide temperature range.
- Calibration traceable to NIST.

APPLICATIONS

- Integration into energy management systems, or a variety of sub-metering applications.
- Measurement using direct-connection, current transformers, and/or potential transformers.

SINGLE AND THREE-PHASE MODELS WITH INTERNAL SENSOR

INPUTS		F.S. IN (WATTS)	NO. ELEMENTS	PHASE CONN.	OPTIONAL OUTPUTS (WATT AND VAR) MODEL NUMBER GWV5-				
VOLTAGE	CURRENT				± 1mA*	± 1mA	4-20mA	± 10Vdc	± 5Vdc
0 to 150	0 to 5.0	500	1	1 Ph.-2 W	001A	001B	001E	001D	001X5
	0 to 5.0	1000	2	3 Ph.-3 W	004A	004B	004E	004D	004X5
	0 to 5.0	1500	3	3 Ph.-4 W	007A	007B	007E	007D	007X5
	0 to 5.0	1500	2 1/2	3 Ph.-4 W	7.5A	7.5B	7.5E	7.5D	7.5X5
0 to 300	0 to 5.0	1000	1	1 Ph.-2W	002A	002B	002E	002D	002X5
	0 to 5.0	2000	2	3 Ph.-3W	005A	005B	005E	005D	005X5
	0 to 5.0	3000	3	3 Ph.-4W	008A	008B	008E	008D	008X5
0 to 600	0 to 5.0	2000	1	1 Ph.-2W	003A	003B	003E	003D	003X5
	0 to 5.0	4000	2	3 Ph.-3W	006A	006B	006E	006D	006X5

GWV5 Transducers can be used with current transformers. Potential transformers can be used on 150V models.

*Denotes self-powered unit, limiting input voltage ranges to:
 85-135 For 150V Models
 200-280 For 300V Models
 380-550 For 600V Models

Standard units require 85-135Vac instrument power, (60 Hz.). Current ranges available from 1 to 20 amps.

50 Hz Models - Add suffix "-50"
 50ms Output Response to 90% - Add suffix "W"
 230Vac Instrument Power - Add suffix "-22"

ORDERING INFORMATION
 Example: Three-Phase, Three Wire
 120V, 5A Input with 0-1mA Output.
GWV5-004B



SPECIFICATIONS

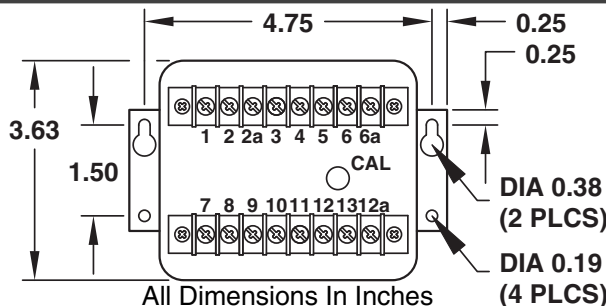
INPUT

Voltage See Table
 Current 0-5A
 Frequency 60Hz standard; 50Hz optional
 Power Factor Any
 Burden
 Voltage <0.1VA/phase
 Current <0.28VA/phase
 Overload
 Voltage (cont.) 175V, 350V, 600V
 Current (cont.) 10A
 Dielectric Test...(Input/Output/Case) 1800Vac
 Surge Withstands IEEE SWC test
 Operating Humidity 0-95% non-condensing
 Instrument Power (std.) 85-135Vac, 60Hz, 7.5VA
 Option "-22" 230Vac, 50/60Hz, ±15%

OUTPUT

VARs + = Lagging/ - = Leading
ACCURACY ± 0.2% Rdg. ± 0.05% F.S.
 Includes combined effects of voltage, current, load and power factor
 Output Watts, VAR See Table
 Output Loading (Ohms)
 ±1mA 0-10K
 ±10Vdc, ±5Vdc >2K
 4-20mA 0-500
 Response Time..... (99%) <400 milliseconds
 50ms Response to 90% Add suffix "W"
 Field Adjustable Cal. ± 2% min.
 Temperature Effect -20°C to +60°C
 Watt ±0.005%/°C
 VAR ±0.009%/°C

CASE DIMENSIONS



CASE HEIGHT 6.50"
 1PH 2W 2.6 LBS
 3PH 3W 3.0 LBS
 3PH 4W 3.5 LBS

Div. Morlan & Associates, Inc. 6625 McVey Blvd. Columbus, Ohio 43235
 WWW.FLEX-CORE.COM sales@flex-core.com
 PHONE (614) 889-6152
 TECH. ASSISTANCE (614) 876-8308
 FAX # (614) 876-8538

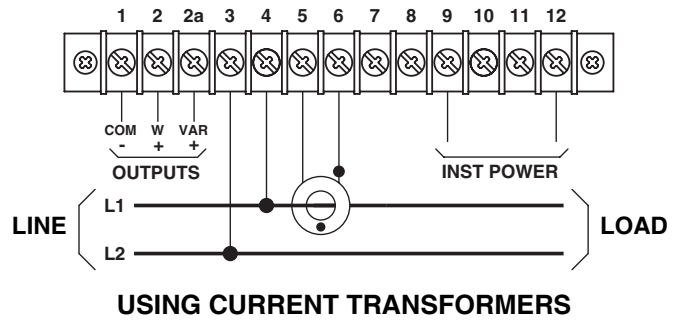
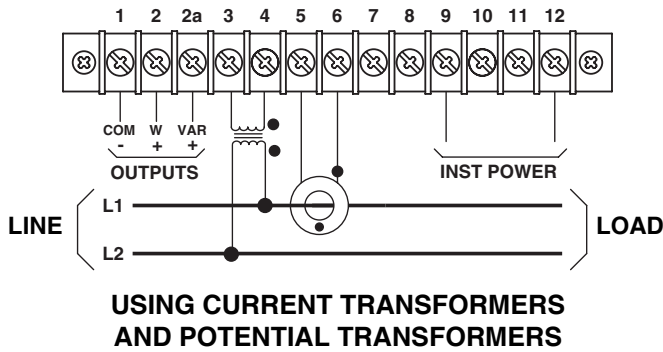
WATT/VAR TRANSDUCER

CONNECTION DIAGRAMS

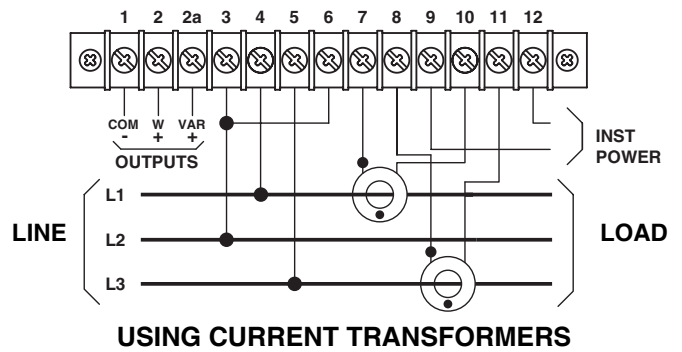
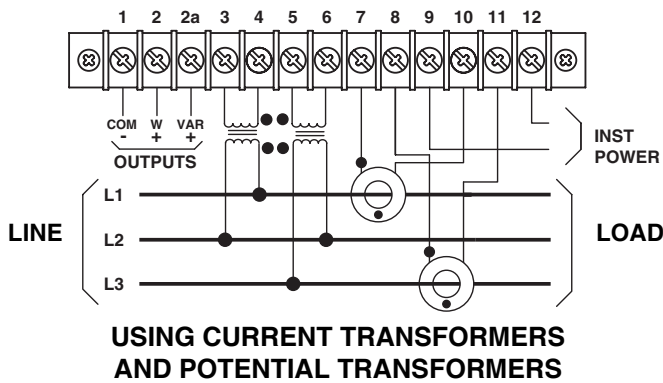
MODEL GWV5

WATT / VAR TRANSDUCERS

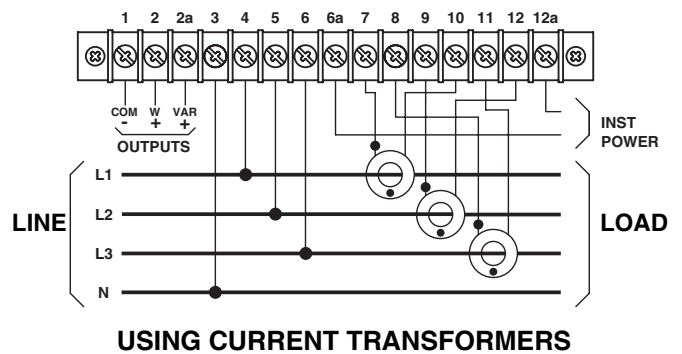
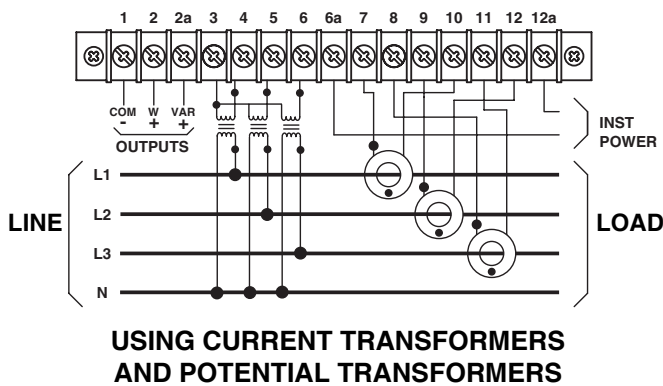
SINGLE-PHASE, TWO WIRE CONNECTIONS



THREE-PHASE, THREE WIRE CONNECTIONS



THREE-PHASE, FOUR WIRE CONNECTIONS (3 ELEMENTS)



THREE-PHASE, FOUR WIRE CONNECTIONS (2 1/2 ELEMENTS)

